

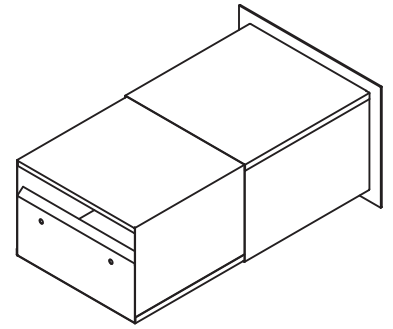
ASHGROVE / PALAZZO / STROUD LETTERBOX

1815 - Sleeve

Congratulations on purchasing your letterbox. We have designed this letterbox to offer a practical way to have mail delivered securely to your home.

You will need to install this letterbox in a location that is easily accessible to Australia Post and couriers. This will typically be at your front boundary.

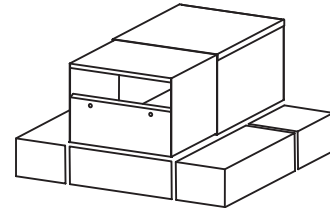
The ideal height for the mail opening is 90 - 120cm from the ground.



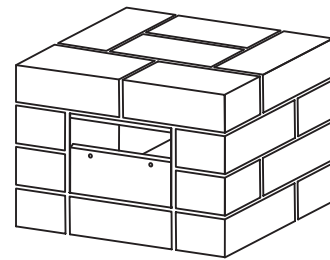
Installing into a brick wall

1. Build the brickwork up to the desired height and set the sleeve in place following these guidelines;

- Expand the sleeve to match the depth of your wall or pier
- For plain brick walls, the sleeves should sit flush with the wall
- For rendered walls, set the sleeves slightly forward so that they will sit flush with the finished render surface.



2. Complete the remaining brickwork around the letterbox.



3. Finish any brick cleaning or rendering.

4. Unlock the rear door and align the studs with the sleeve holes. Secure the panel using the nuts and washers provided.

5. Attach the front panel (refer to the instructions sheet included with the Front Panel).

