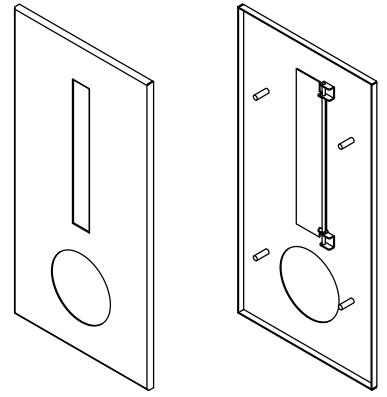


AMALFI LETTERBOX

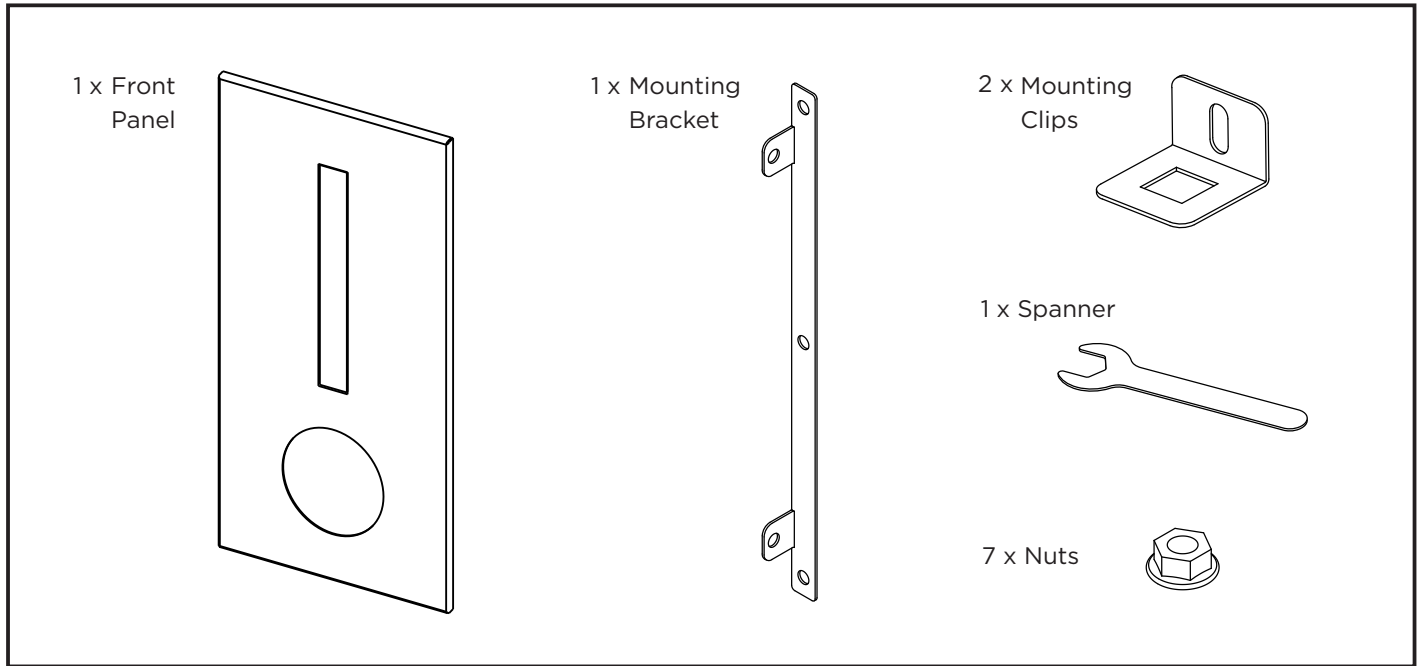
746F3 - Front Panel (Fixed)

Congratulations on purchasing the Amalfi letterbox. We have designed the Amalfi to offer a practical and stylish way to have general mail delivered to your home.

Prior to attaching the front panel, the rear box/sleeve needs to be installed into your wall/fence. Refer to the instruction sheet included with your rear box/sleeve.

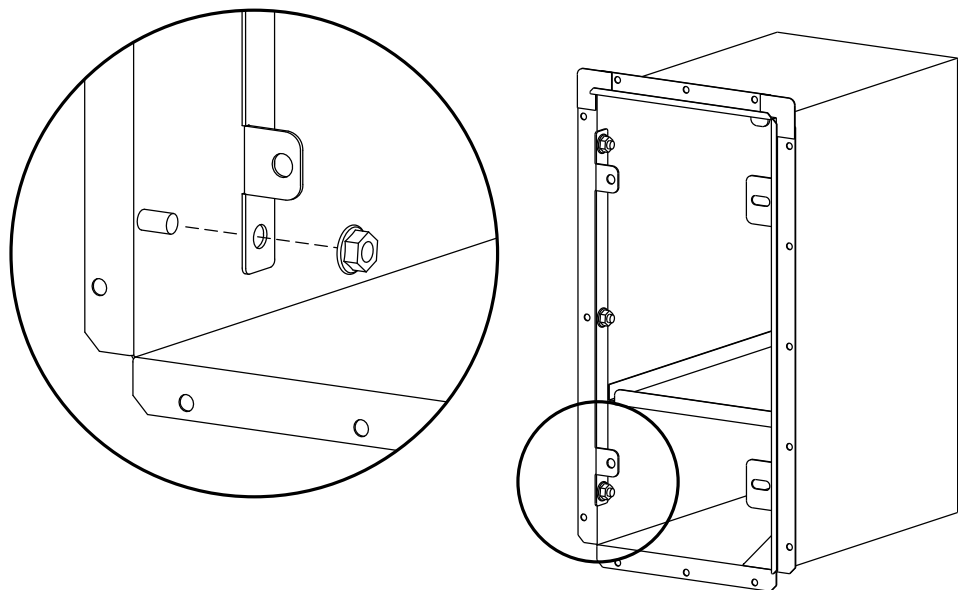


Contents



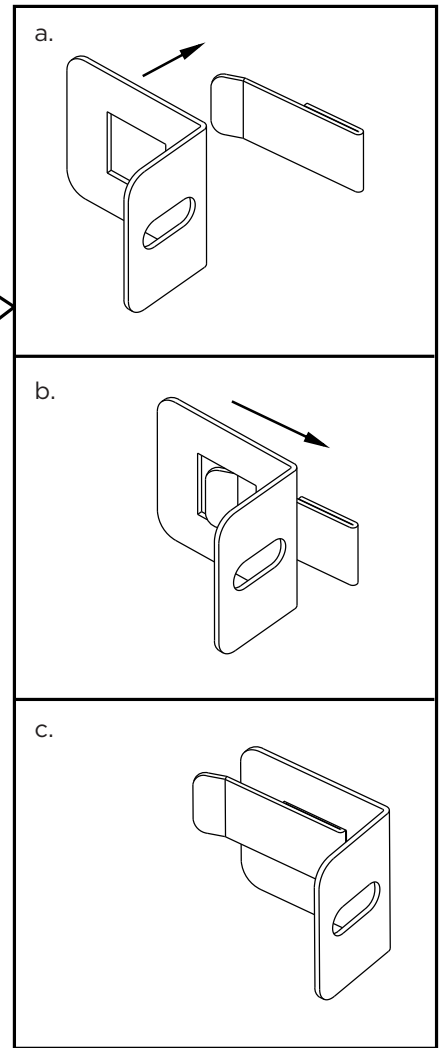
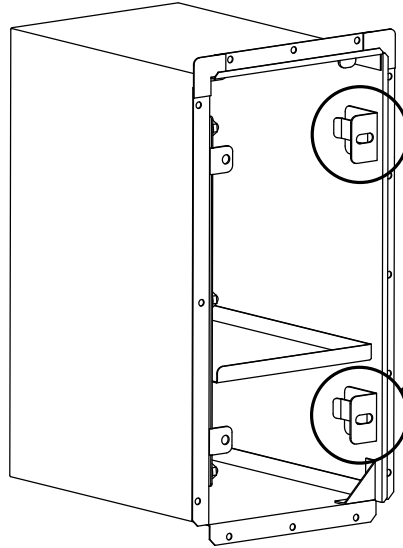
Installation

1. Attach mounting bracket to the three studs with nuts provided.



2. Attach mounting clips to the right side of the rear box/sleeve.

Note: Steps a, b & c illustrate how to secure the mounting clips (see right).



3. Secure the front panel using the nuts provided.

