

Florence Wall Letterbox

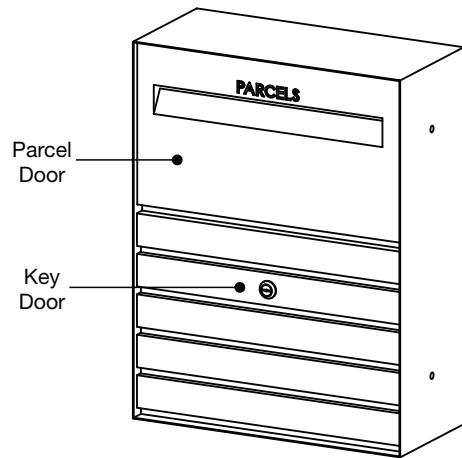
Contents

Your carton should contain the following parts:

- 1 x Letterbox
- 1 x Accessories Bag

Choosing a Suitable Location

The letterbox can be either mounted onto a timber fence, brick or block wall. You will need to install it in a location that is easily accessible to Australia Post and couriers. The recommended height for the mail slot is 90 to 120cm from the ground.



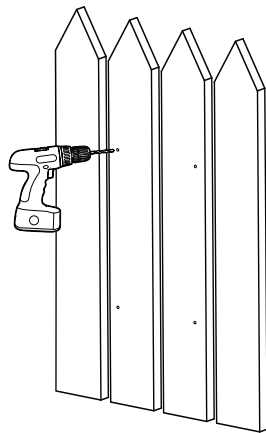
Timber Fence Installation

Tools Required

- Drill + Timber Drill Bit
- Pencil
- Spirit Level

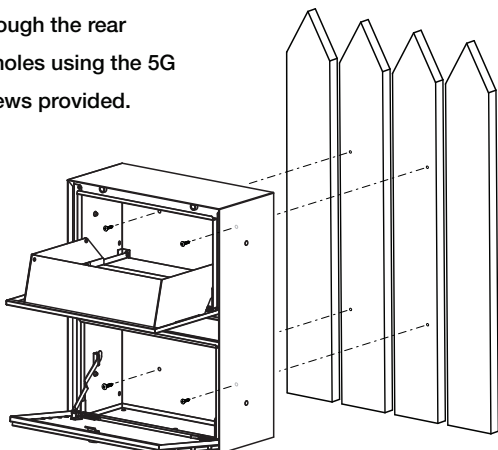
1. Place the letterbox against the fence in your chosen location. Use a spirit level to ensure the box is level.

Open both front doors and mark the fence through the rear mounting holes.



2. Set aside the letterbox and pre-drill 2.5mm holes in the four marked locations.

3. Place the letterbox back into position (with both doors open) Secure through the rear mounting holes using the 5G timber screws provided.



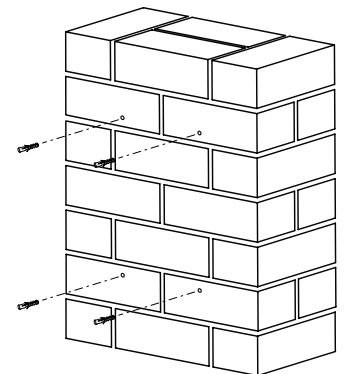
Brick Wall Installation

Tools Required

- Drill / Hammer Drill (ideal)
- Pencil
- Masonry Drill Bit
- Spirit Level

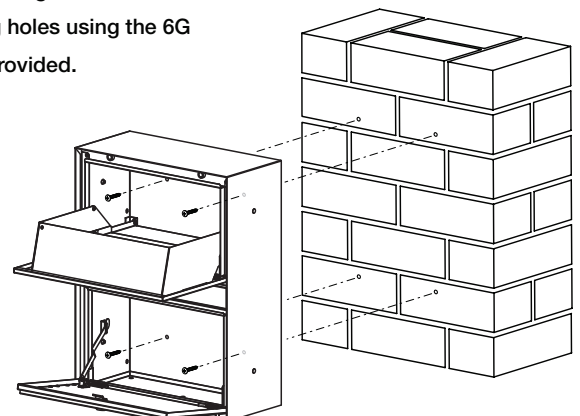
1. Place the letterbox against the wall in your chosen location. Use a spirit level to ensure the box is level.

Open both front doors and mark the wall through the rear mounting holes.



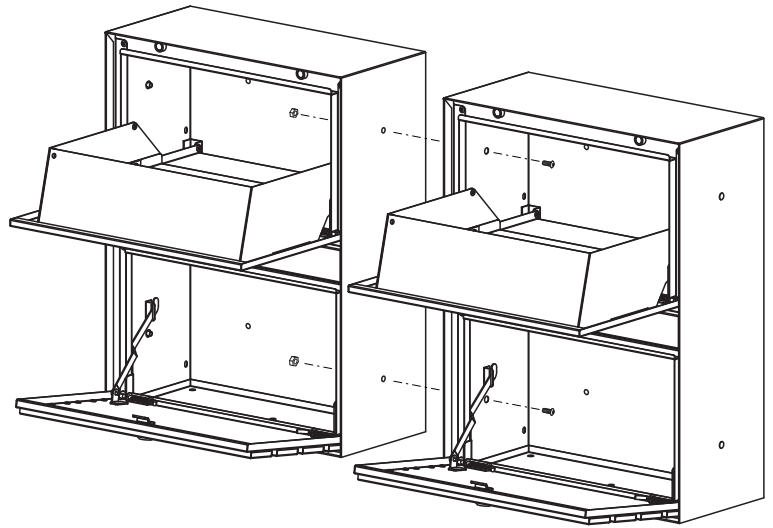
2. Set aside the letterbox. Drill 6mm holes in the four marked locations and insert wall plugs.

3. Place the letterbox back into position (with both doors open) Secure through the rear mounting holes using the 6G screws provided.



Attaching Multiple Letterboxes

1. For both letterboxes, remove the hole caps fitted to the mounting holes you need access to.
2. Open all doors for both letterboxes (as shown in the illustration to the right).
3. Push letterboxes next to each other, aligning the mounting holes.
4. For each of the holes, insert the bolts through one side of the hole and secure on the other side with the nuts provided.



Using your Florence

This parcel letterbox is specially designed to allow mail and parcel delivery.

Mail and Parcels can be delivered via the front door. The courier simply pulls the front door open, places the parcel inside and closes the door. The parcel will fall into the retrieval area at the bottom. A specially designed internal floor stops anyone from reaching into the retrieval area when the chute is opened.