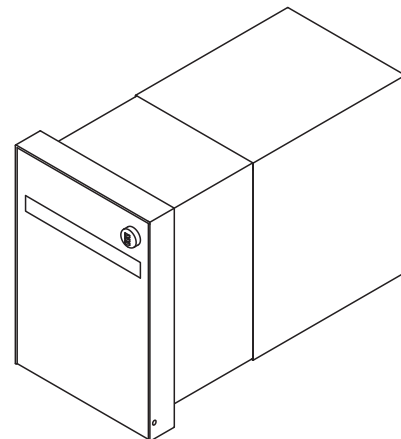


Siena Letterbox

145



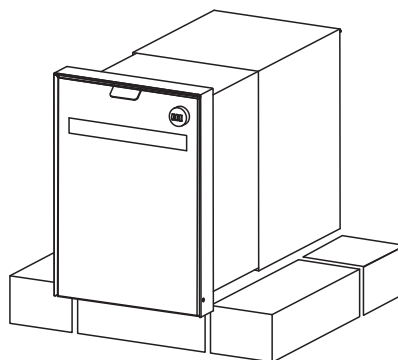
You will need to install the Siena letterbox in a location that is easily accessible to Australia Post and couriers. This will typically be at your front boundary. The ideal height for the mail opening is 90-120cm from the ground.

Installation

Installing into a brick wall

1. Build the brickwork up to the desired height and set the letterbox body in place following these guidelines;

- For plain brick walls, the front flanges (these are the flanges with holes in them) should sit flush with the wall
- For rendered walls, set the front flanges so they will sit flush with the finished rendered surface.



2. Complete the remaining brickwork around the letterbox. Finish any brick cleaning or rendering..

