

Stroud Fence Letterbox

241

Tools

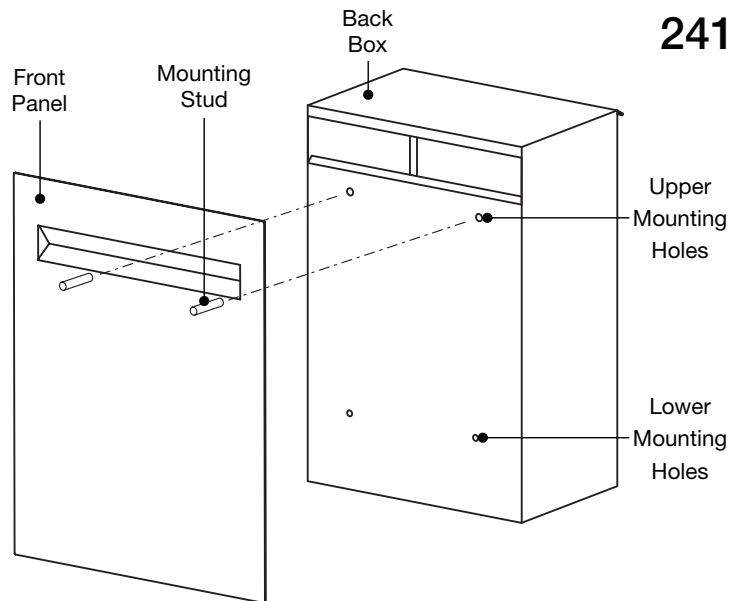
Required

- Drill
- Timber Drill Bits
- Tape Measure
- Jigsaw

Contents

Your carton should contain the following parts:

- 1 x Front Panel
- 1 x Back Box
- 1 x Accessories Bag



Choosing a Suitable Location

The letterbox can be mounted into a timber fence up to 20mm thick. You will need to install it in a location that is easily accessible to Australia Post and couriers. The recommended height for the mail slot is 90 to 120cm from the ground.

Installation

1. Remove the front panel by undoing the two mounting nuts from inside the back box.

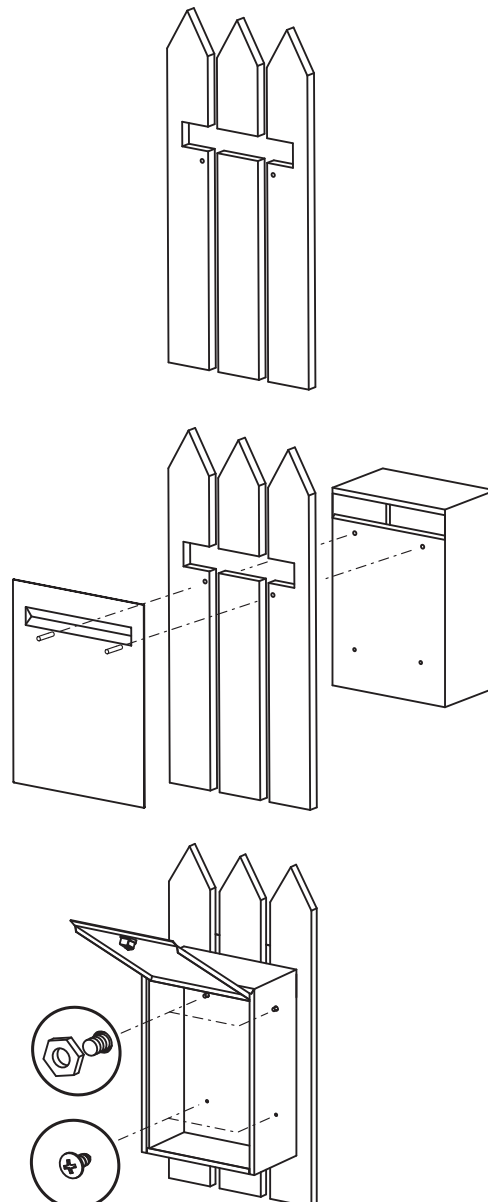
2. Using the enclosed template provided, mark and cut out the mail opening using a jigsaw. Drill two 8mm holes for the front panel studs.

3. Fit the front panel so its mounting studs pass through the holes just drilled.

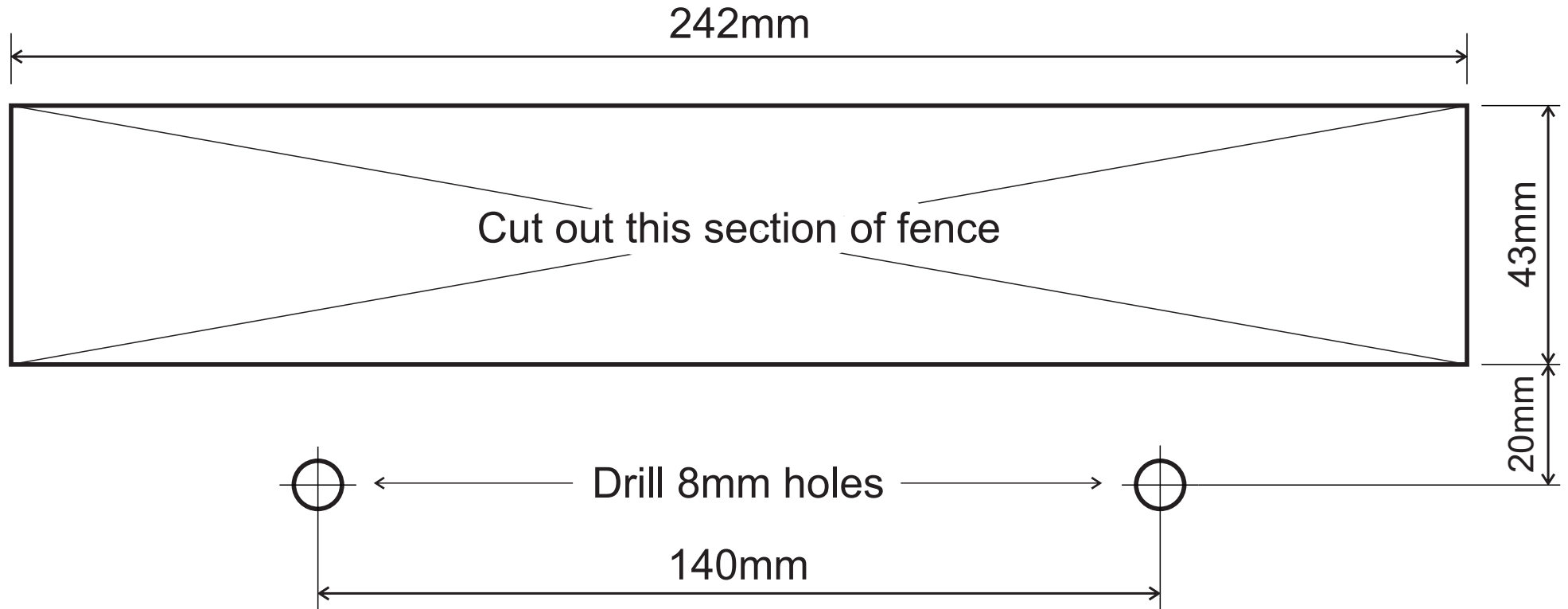
Attach the back box to the mounting studs through the upper mounting holes.

4. Secure the front panel from inside the letterbox with the washers and nuts provided.

Screw the back box to the fence through the lower mounting holes with the screws provided (for hardwood fences, it is easier to pre-drill the screw holes).



SIDE EDGE



1. Place this guide in the desired location on fence.
2. Push through the guide with a pencil to mark area to be cut and holes drilled.
3. On your fence, cut out the mail opening and drill two 8mm holes for the front panel mounting studs.
4. Fit the front panel so its mounting studs pass through the holes just drilled.
5. Attach the letterbox to the mounting studs through the letterbox's upper mounting holes.
6. Through the back door, fit the nuts to the mounting studs and tighten.
7. Finish by screwing letterbox to fence through the lower mounting holes.