

Boston Fence Letterbox

248

Tools

Required

- Drill
- Timber Drill Bits
- Tape Measure
- Jigsaw

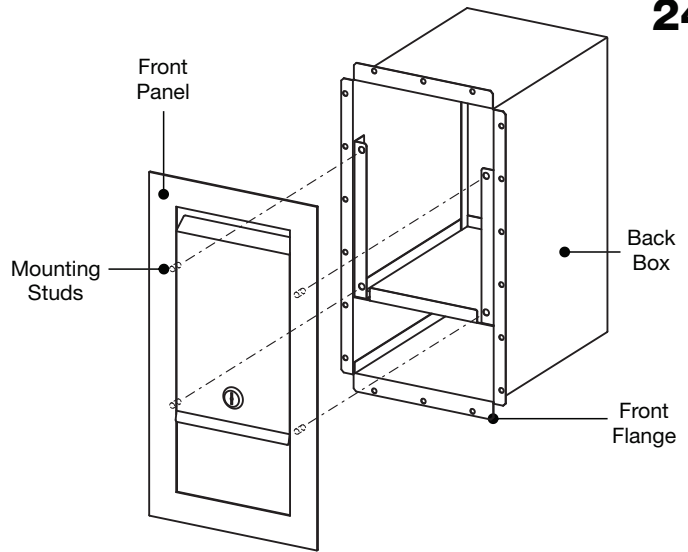
Contents

Your carton should contain the following parts:

- 1 x Front Panel
- 1 x Back Box
- 1 x Accessories Bag

Choosing a Suitable Location

The letterbox can be either mounted into a timber fence, or built into a brick or block wall. You will need to install it in a location that is easily accessible to Australia Post and couriers. The recommended height for the mail slot is 90 to 120cm from the ground.

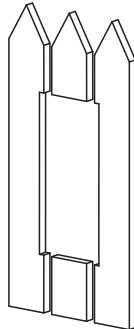


Removing the Front Panel for Installation

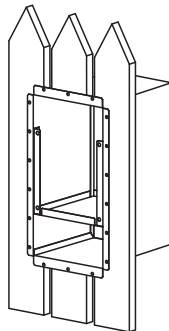
1. Open the front door, reach through and unscrew the 4 x mounting nuts.
2. Gently pull at the front panel to remove it from the back box.

Timber Fence Installation

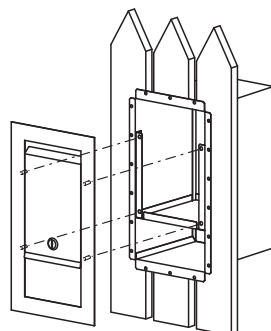
1. Measure the back box, mark and cut a slightly larger hole into the fence using a jigsaw.



2. Slide the back box through the front of the fence. Screw it to the fence with the screws provided (for hardwood fences, it is easier to pre-drill the screw holes).



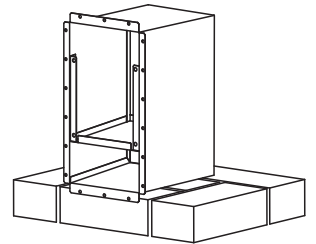
3. Attach the front panel by inserting the 4 x mounting studs through the corresponding holes in the back box.



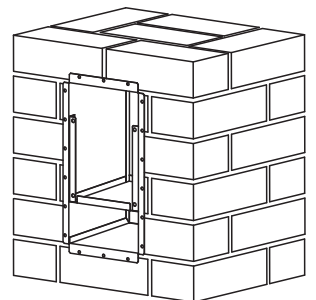
Reach through the front door and secure with the nuts provided.

Brick Fence Installation

1. Build the brickwork up to the desired level and set the back box in place. Plain brick walls - the front flanges should sit flush with the wall. Rendered walls - set the back box forward to allow for the render thickness.



2. Complete the remaining brickwork around the letterbox.



3. Once the brickwork and any rendering has been completed, attach the front panel by inserting the 4 x mounting studs through the corresponding holes in the back box.

Reach through the front door and secure with the nuts provided.

