

Palazzo Brick Letterbox

171

Contents

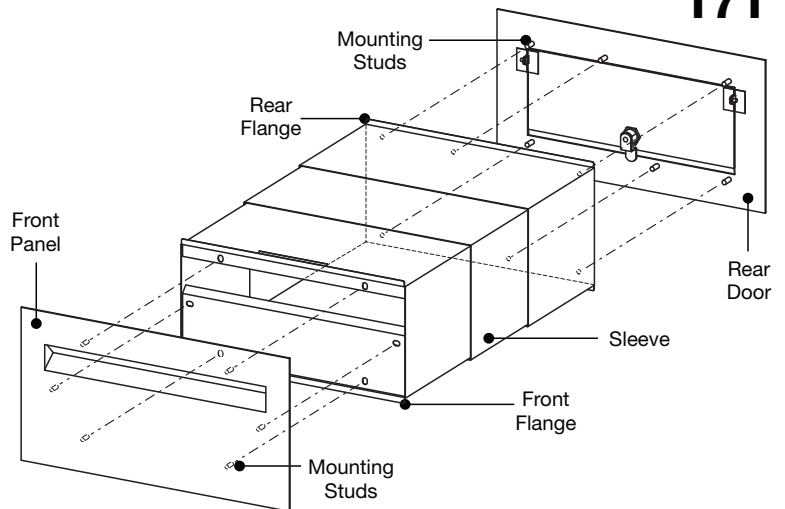
Your carton should contain the following parts:

- | | |
|-----------------|---------------------|
| 1 x Front Panel | 1 x Rear Panel |
| 1 x Sleeve | 1 x Accessories Bag |

Choosing a Suitable Location

The letterbox can be either built into a brick or block wall. You will need to install it in a location that is easily accessible to Australia Post and couriers.

The recommended height for the mail slot is 90 to 120cm from the ground.

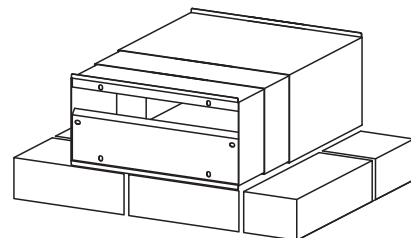


Removing the Front Panel and Rear Door for Installation

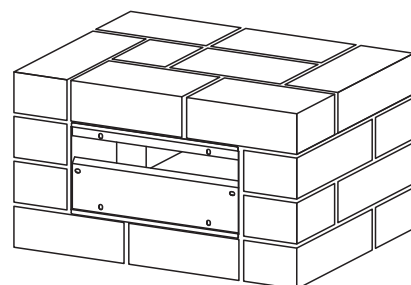
1. Reach through the front sleeve (with front panel attached) and unscrew the 6 x mounting nuts.
2. Gently pull the front panel to remove from the sleeve.
3. Reach through the rear sleeve (with rear door attached) and unscrew the 6 x mounting nuts.
4. Gently pull the rear door to remove from the sleeve.
5. Re-assemble the front and rear sleeves with the middle sleeve prior to installation.

Installation

1. Build the brickwork up to the desired level and set the sleeve in place.
Plain brick walls - the front and rear flanges should sit flush with the wall.
Rendered walls - set the front and rear flanges forward to allow for the render thickness.



2. Complete the remaining brickwork around the letterbox.



3. Once the brickwork and any rendering has been completed, attach the front panel by inserting the 6 x mounting studs through the corresponding holes in the front sleeve.

Reach through the rear of the sleeve and secure with the nuts provided.

4. Attach the rear door by inserting the 6 x mounting studs through the corresponding holes in the rear sleeve. Unlock the rear door and reach through to secure the studs with the nuts provided.

