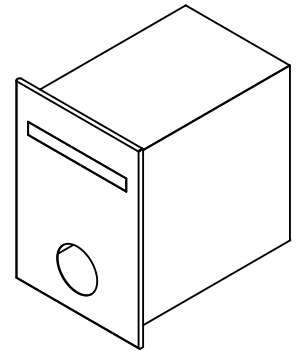


# Monza Letterbox



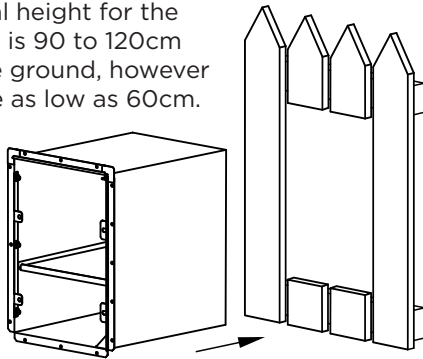
**243**

You will need to install the Monza letterbox in a location that is easily accessible to Australia Post and couriers. This will typically be at your front boundary. The ideal height for the mail opening is 90-120cm from the ground.

## Installation

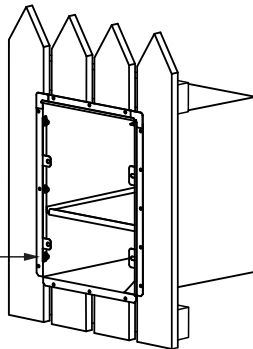
### Installing into a timber fence

1. Open the back door, reach through and remove the front panel by unscrewing the nuts.
2. Measure the letterbox body and cut a slightly larger hole into the fence. The ideal height for the mail slot is 90 to 120cm from the ground, however it can be as low as 60cm.

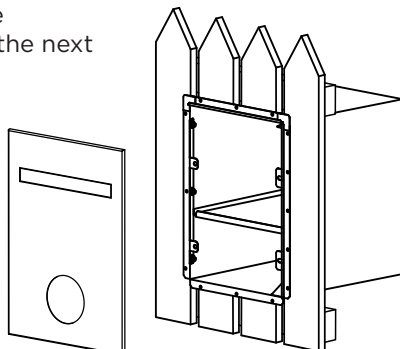


3. Slide the letterbox body in through the front of the fence. Screw it to the fence with the screws provided (for hardwood, its easier if you pre-drill the screw holes).

MOUNTING STUDS MUST BE ON THIS SIDE



4. Attach the front panel by following the instructions on the next page.

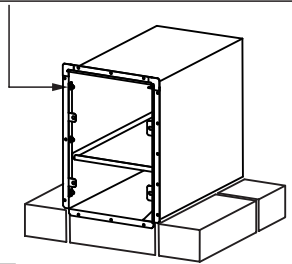


### Installing into a brick wall

1. Open the back door, reach through and remove the front panel by unscrewing the nuts.
2. Build the brickwork up to the desired height and set the letterbox body in place following these guidelines;

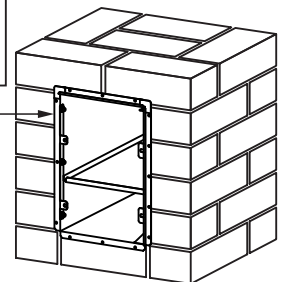
**IMPORTANT:** STUDS MUST SIT TO LEFT SIDE OF THE LETTERBOX

- For plain brick walls, the front flanges should sit flush with the wall
- For rendered walls, set the front flanges so they will sit flush with the finished rendered surface.

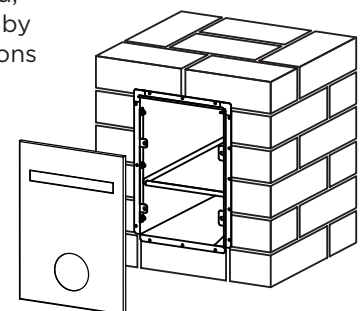


**WARNING:** DO NOT RENDER PAST THE FRONT FLANGES, the finished render surface must be flush with the front flanges, otherwise the door will not work properly.

3. Complete the remaining brickwork around the letterbox. Finish any brick cleaning or rendering.



4. Once the brickwork and any rendering has been completed and cleaned, attach the front panel by following the instructions on the next page.



# Monza Letterbox

## Attaching the Front Panel

5. Open the back door, reach through and secure the front panel using the nuts provided.

