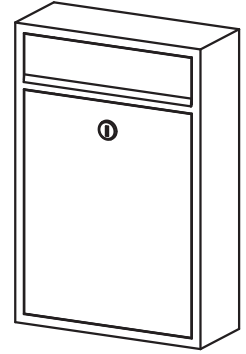


INSTALLATION INSTRUCTIONS

WB51 - MILTON WALL LETTERBOX

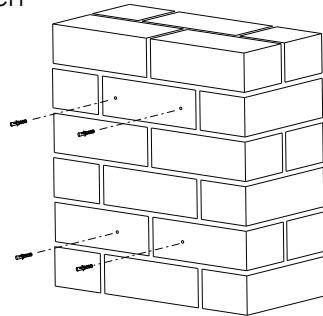
The letterbox can be either mounted onto a timber fence, or built into/onto a brick/block wall.

Please follow the appropriate instructions for either timber fence or brick wall installation.

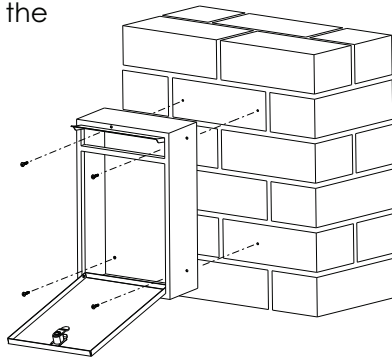


BRICK INSTALLATION - SURFACE MOUNT

1. Mark hole locations, drill four 6mm holes and insert wall plugs provided.

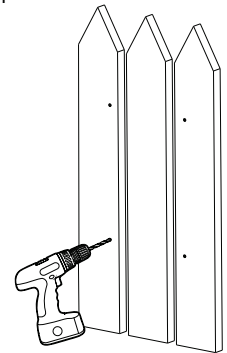


2. Mount the letterbox onto the brickwork with the screws provided.

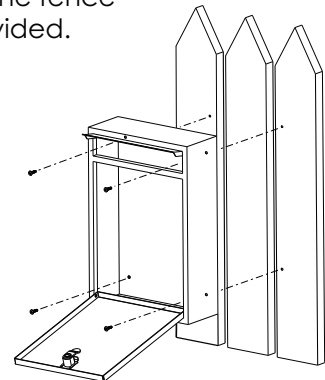


TIMBER FENCE INSTALLATION

1. Mark hole locations and drill four 3mm holes.



2. Mount letterbox to the fence with the screws provided.

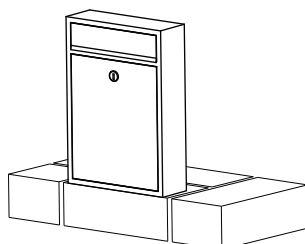


BRICK INSTALLATION - FLUSH MOUNT

1. Build the brickwork up to the desired level and set the letterbox in place.

For plain brick walls - the front face should sit flush with wall.

For rendered walls - set the letterbox forward to allow for the render thickness.



2. Complete the remaining brickwork around the letterbox.

