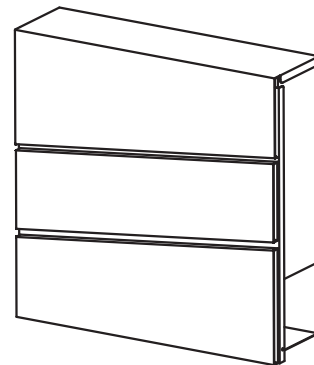


# KENSINGTON LETTERBOX

## Installation Instruction Sheet

Congratulations on purchasing the Kensington letterbox. We have designed the Lisbon to offer a stylish, efficient and convenient way to receive large A4 envelopes and mail. The front door with keylock offers an easy and convenient means of retrieving your mail and parcels.

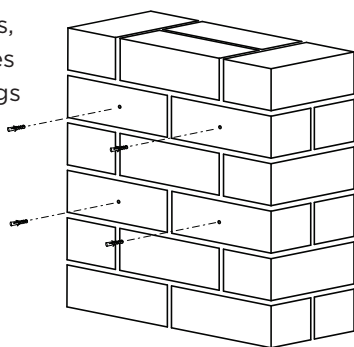


## Installation

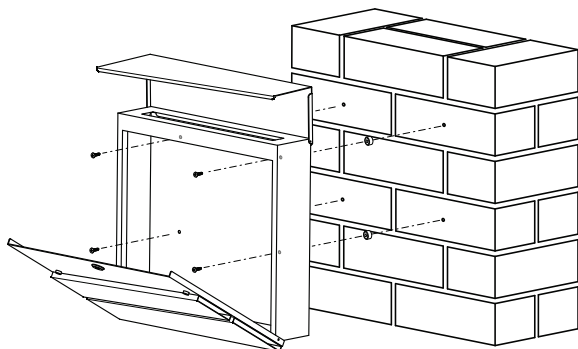
You will need to mount the Kensington in a location that is easily accessible to Australia Post and couriers. This will typically be at your front boundary.

### Mounting onto a Brick Wall

1. Mark hole locations, drill four 6mm holes and insert wall plugs provided.

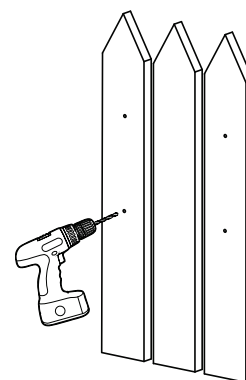


2. Mount the letterbox onto the brickwork with the spacers and screws provided.



### Mounting onto a Timber Fence

1. Mark hole locations and drill four 3mm holes.



2. Mount the letterbox to the fence with the spacers and screws provided.

