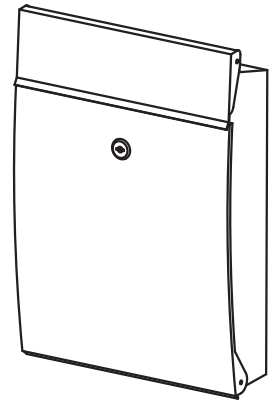


INSTALLATION INSTRUCTIONS

CANTERBURY WALL LETTERBOX

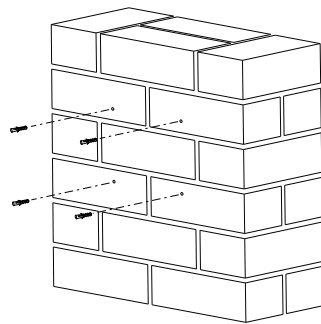
The letterbox can be either mounted onto a timber fence, or mounted onto a brick/block wall.

Please follow the appropriate instructions for either timber fence or brick wall installation.

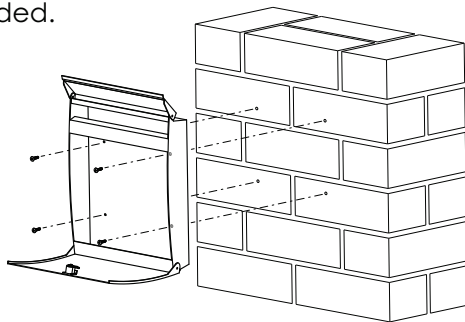


BRICK INSTALLATION

1. Mark hole locations, drill four 6mm holes and insert wall plugs provided.

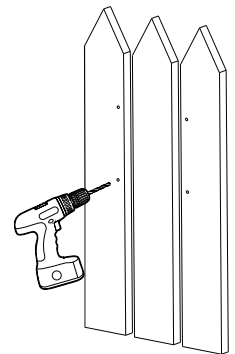


2. Mount the letterbox onto the brickwork with the screws provided.



TIMBER FENCE INSTALLATION

1. Mark hole locations and drill four 3mm holes.



2. Mount letterbox to the fence with the screws provided.

