

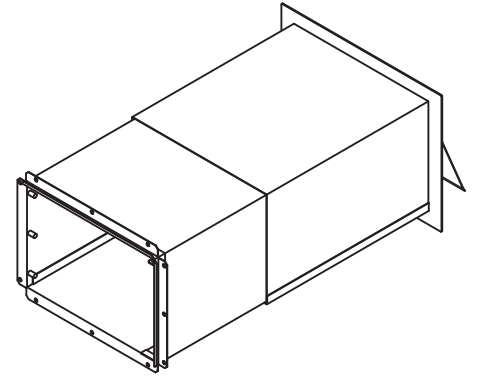
# TORINO PARCEL LETTERBOX

## 763B2 - Sleeve

Congratulations on purchasing the Torino letterbox. We have designed the Torino to receive mail and parcels (Note: some front panel options may not allow parcel delivery).

You will need to install the Torino letterbox in a location that is easily accessible to Australia Post and couriers. This will typically be at your front boundary.

The ideal height for the mail opening is 90 - 120cm from the ground.



### Installing into a brick wall

1. Remove the back panel from the inside of the sleeve.
2. Build the brickwork up to the desired height and set the sleeve in place following these guidelines;

- **IMPORTANT:** STUDS MUST SIT TO LEFT SIDE OF LETTERBOX

- Expand the sleeve to match the depth of your wall or pier

- For plain brick walls, the front flanges should sit flush with the wall

- For rendered walls, set the front flanges so they will sit flush with the finished rendered surface.

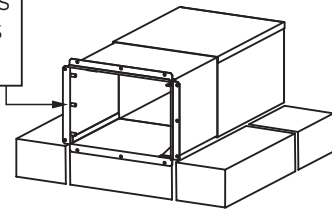
2. Complete the remaining brickwork around the letterbox.

3. Finish any brick cleaning or rendering.

4. Unlock the rear door and align the studs with the sleeve holes. Secure the panel using the nuts and washers provided.

5. Attach the front panel (refer to the instruction sheet included with the Front Panel).

MOUNTING STUDS  
MUST BE ON THIS  
SIDE



**WARNING:** DO NOT  
RENDER PAST THE  
FRONT FLANGES,  
the finished render  
surface must be flush  
with the front flanges,  
otherwise the door  
will not work properly.

