

TORINO LETTERBOX

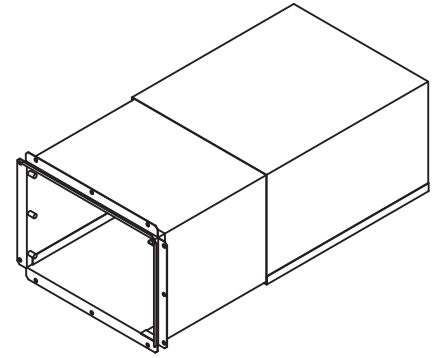
763B1 - Sleeve

Installation

Congratulations on purchasing the Torino letterbox. We have designed the Torino to receive mail and parcels (Note: some front panel options may not allow parcel delivery).

You will need to install the Torino letterbox in a location that is easily accessible to Australia Post and couriers. This will typically be your front boundary.

The ideal height for the mail opening is 90 - 120cm from the ground.



Installing into a brick wall

1. Build the brickwork up to the desired level and set the letterbox in place.

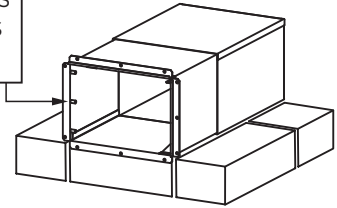
IMPORTANT: STUDS MUST SIT TO LEFT SIDE OF LETTERBOX

- For plain brick walls, the front flanges should sit flush with the wall
- For rendered walls, set the front flanges so they will sit flush with the finished rendered surface.

2. Complete the remaining brickwork around the letterbox.

3. Once the brickwork and any rendering has been completed and cleaned, attach the front panel (refer to the instruction sheet included with your Front Panel).

MOUNTING STUDS
MUST BE ON THIS
SIDE



WARNING: DO NOT
RENDER PAST THE
FRONT FLANGES,
the finished render
surface must be flush
with the front flanges,
otherwise the door
will not work properly.

