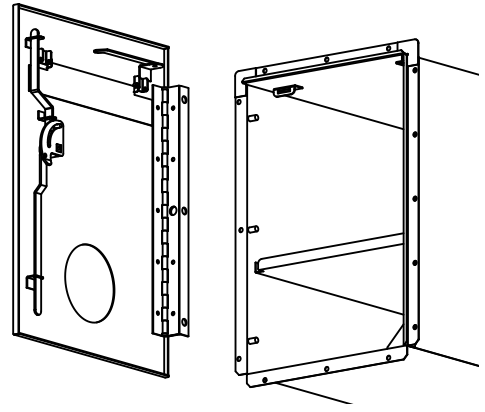


# MONZA FRONT PANEL

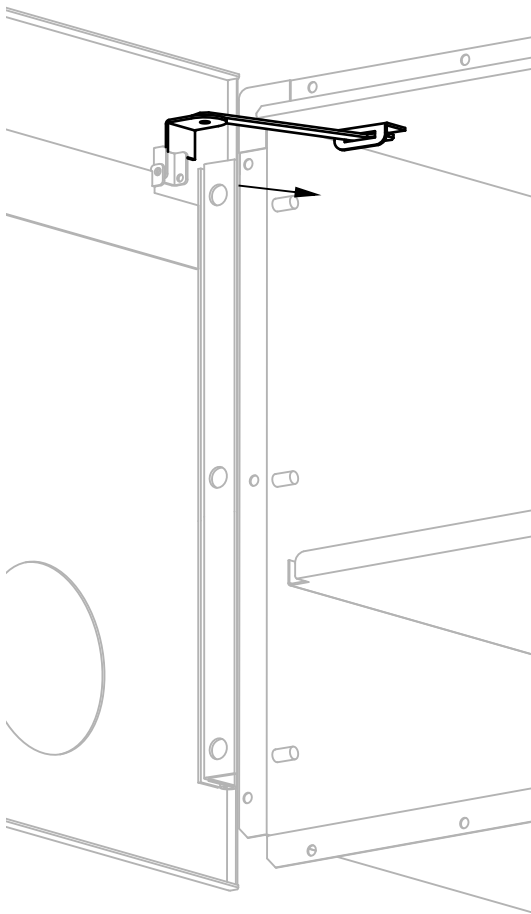
## 743F1 - Front Panel

Congratulations on purchasing the Monza letterbox. We have designed the Monza to receive general mail and parcels.

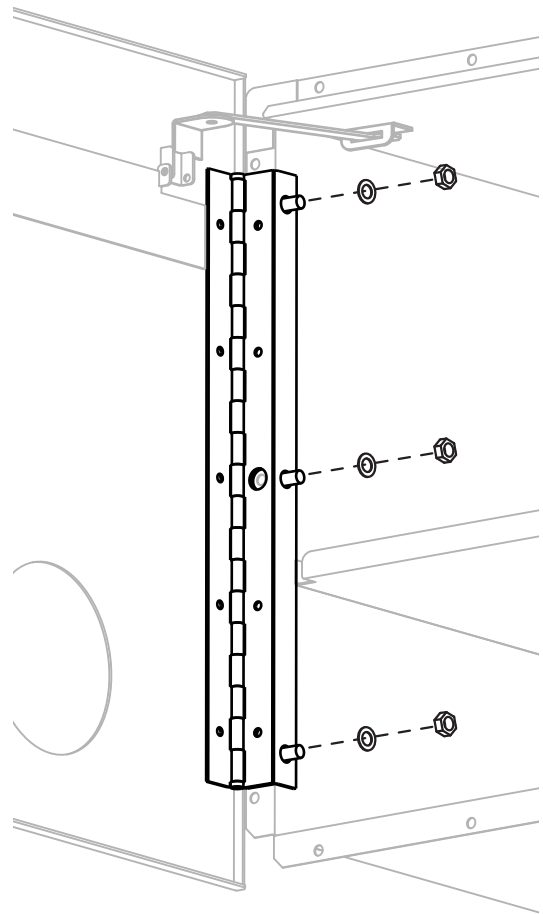
Prior to attaching the front panel, the body (back box) needs to be installed into your fence or wall. Refer to the instruction sheet included with your back box.



- Insert the locking arm by placing it through the guide slot.



- Align the hinge holes with the corresponding studs. Secure the hinge using the washers and nuts provided.



## Using your Parcel Letterbox

This parcel letterbox is specially designed to allow mail and parcel delivery. Parcels up to 18 x 21 x 30cm can be delivered using the combination lock. The courier simply enters the allocated combination code to unlock the front door. The courier places the parcel inside, closes the door and re-toggles the combination.

Most courier services have the provision for special delivery instructions to be included with a parcel. When you purchase an item to be delivered, let the supplier know the instruction for opening the combination lock.

For example, the delivery instruction for your parcel letterbox with the lock code set to 321 could be: "PLACE IN LETTERBOX. USE CODE 321 TO OPEN".