

INSTALLATION INSTRUCTIONS

This instructions sheet is applicable to the following products:

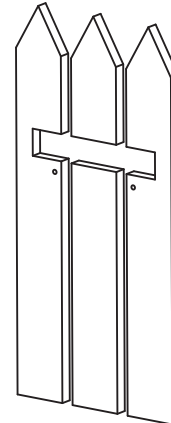
- CHELSEA series
- STROUD series

The letterbox can be mounted into a timber fence.
This product is available as a separate front panel and back box.

TIMBER FENCE INSTALLATION

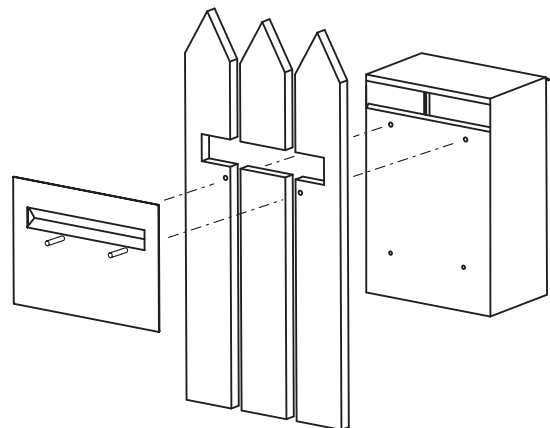
1. Using the enclosed template as a guide, cut out the mail opening and drill two 8mm holes for the front panel mounting studs.

The ideal height for the mail slot is 90 to 110cm from the ground, however it can be as low as 60cm.



2. Fit the front panel so its mounting studs pass through the holes just drilled.

Attach the letterbox to the mounting studs through the letterbox's upper mounting holes.



3. Fit the nuts to the mounting studs and tighten. Finish by screwing the letterbox to the fence through the lower mounting holes.

