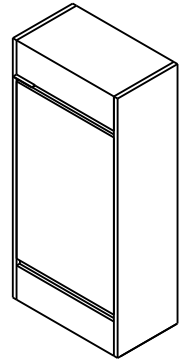


LISBON PARCEL LETTERBOX

Installation Instruction Sheet

Congratulations on purchasing the Lisbon parcel letterbox. We have designed the Lisbon to offer a stylish, efficient and convenient way to have parcels delivered securely to your home. It also receives large A4 envelopes and offers excellent security for your mail and parcels. The front door with keylock offers an easy and convenient means of retrieving your mail and parcels.

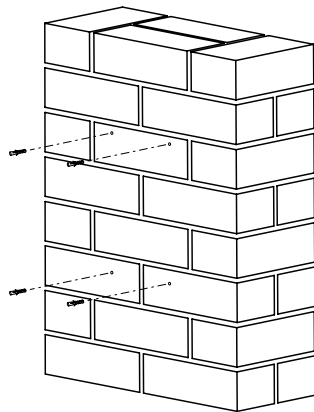


Installation

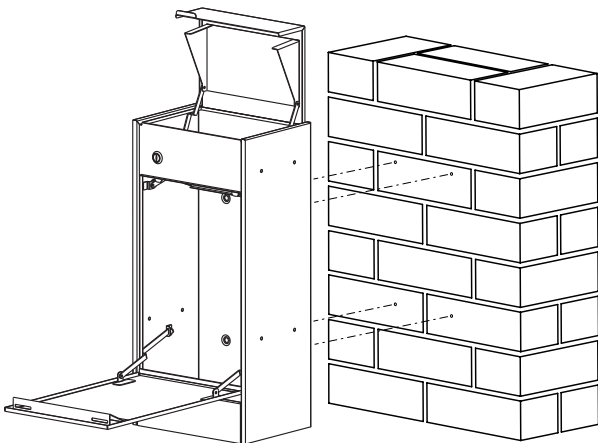
The Lisbon parcel letterbox receives parcels and general mail. You will need to mount it in a location that is easily accessible to Australia Post and couriers. This will typically be at your front boundary.

Mounting onto a Brick Wall

1. Mark hole locations, drill four 6mm holes and insert wall plugs provided.

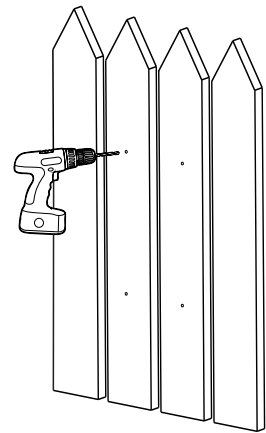


2. Mount the parcel letterbox onto the brickwork with the screws provided.

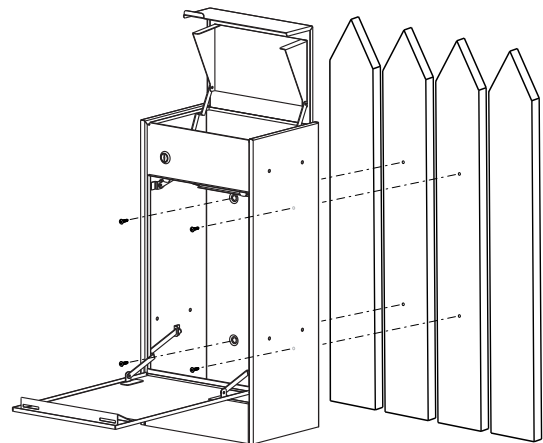


Mounting onto a Timber Fence

1. Mark hole locations, drill four 3mm holes.



2. Mount the parcel letterbox to the fence with the screws provided.



Using your Parcel Letterbox

Parcels up to 12 x 17 x 22cm can be delivered via the parcel chute. The courier simply lifts the lid up, places the parcel inside and closes the lid. The parcel will fall into the retrieval area at the bottom. A specially designed internal flap stops anyone from reaching into the retrieval area when the lid is opened.