

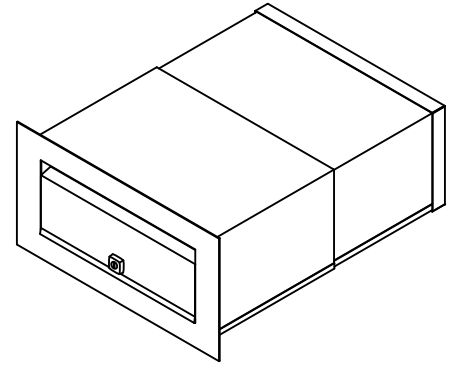
PALAZZO FRONT OPEN LETTERBOX

1871

Congratulations on purchasing the Palazzo Front Open letterbox. We have designed the Palazzo to offer a practical way to have mail delivered securely to your home. The front door with keylock offers an easy and convenient means of retrieving your mail.

You will need to install the Palazzo letterbox in a location that is easily accessible to Australia Post and couriers. This will typically be at your front boundary.

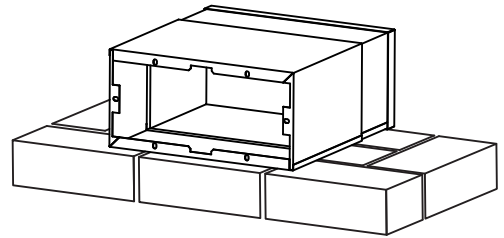
The ideal height for the mail opening is 90 - 120cm from the ground.



Installing into a brick wall

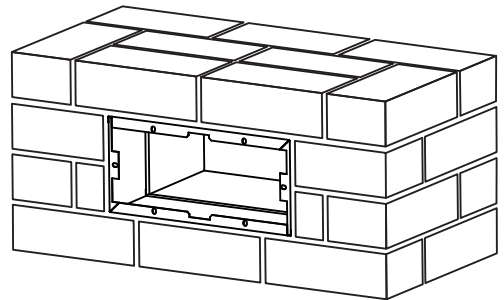
1. Build the brickwork up to the desired height and set the sleeve in place following these guidelines;

- Expand the rear sleeve according to your requirements, this will typically be either;
 - Fully expanded to the rear of the pier
 - Partially expanded so that bricks can be set in place behind the rear cap



- For plain brick walls, the front sleeve should sit flush with the wall.

- For rendered walls, set the front sleeve slightly forward so that it will sit flush with the finished render surface.



2. Complete the remaining brickwork around the letterbox.

3. Finish any brick cleaning or rendering.

4. Unlock the front door and align the studs with the sleeve holes. Secure the panel using the washers and nuts provided.

