

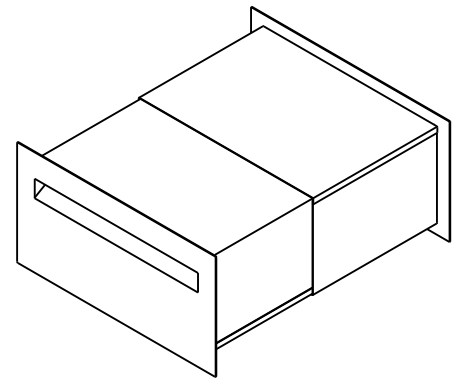
PALAZZO LETTERBOX

1821

Congratulations on purchasing the Palazzo letterbox. We have designed the Palazzo to offer a stylish and efficient way to have mail delivered securely to your home. The rear door with keylock offers an easy and convenient means of retrieving your mail.

You will need to install it in a location that is easily accessible to Australia Post and couriers. This will typically be at your front boundary.

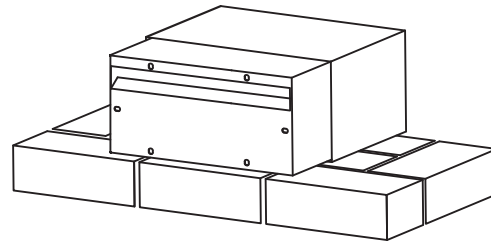
The ideal height for the mail opening is 90 - 120cm from the ground.



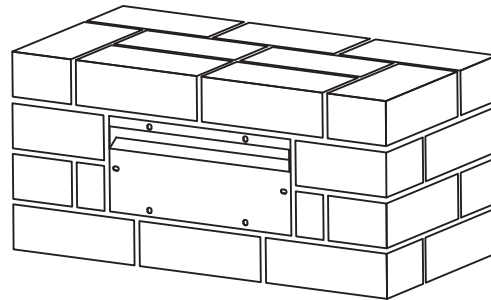
Installing into a brick wall

1. Build the brickwork up to the desired height and set the sleeve in place following these guidelines;

- Expand the sleeve to match the depth of your wall or pier.
- For plain brick walls, the front and back sleeves should sit flush with the wall.
- For rendered walls, set the sleeves slightly forward so that it will sit flush with the finished render surface.



2. Complete the remaining brickwork around the letterbox.



3. Finish any brick cleaning or rendering.

4. Unlock the rear door and align the studs with the sleeve holes. Secure the panel with the washers and nuts provided.

5. Attach the front panel with the washers and nuts provided.

