

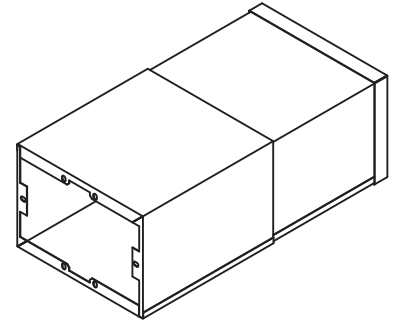
PALAZZO FRONT OPEN LETTERBOX

1816 - Sleeve

Congratulations on purchasing the Palazzo Front Open letterbox. We have designed the Palazzo to offer a practical way to have mail delivered securely to your home.

You will need to install the Palazzo Front Open letterbox in a location that is easily accessible to Australia Post and couriers. This will typically be at your front boundary.

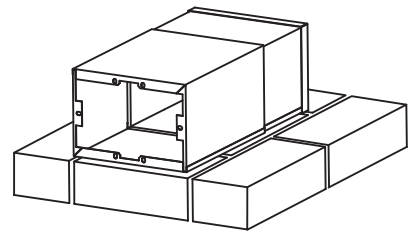
The ideal height for the mail opening is 90 - 120cm from the ground.



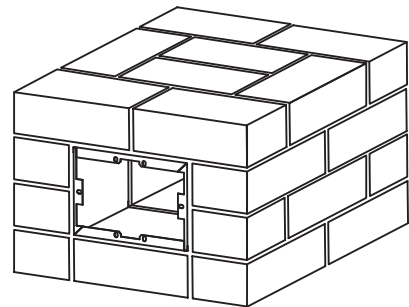
Installing into a brick wall

1. Build the brickwork up to the desired height and set the sleeve in place following these guidelines;

- Expand the rear sleeve according to your requirements, this will typically be either;
 - Fully expanded to the rear of the pier
 - Partially expanded so that bricks can be set in place behind the rear cap
- For plain brick walls, the front sleeve should sit flush with the wall.
- For rendered walls, set the front sleeve slightly forward so that it will sit flush with the finished render surface.



2. Complete the remaining brickwork around the letterbox.



3. Finish any brick cleaning or rendering.

4. Attach the front panel (refer to the instruction sheet included with the Front Panel).

