

The Mounting Plate Kit is required when:

- Wall mounting of the clothesline is not possible and Ground Mount posts must be used.
- Ground Surface is concrete

Contents

Your carton should contain the following parts:

- 2 x Mounting Plates
- 6 x Concrete Bolts
- 6 x Self-drilling Screws

Choosing a Suitable Location

Check that your chosen location has suitable side and front clearance. Allow 50cm side clearance and 100cm front clearance.

Mounting Plate Installation (Figure 1, 2 & 3)

- 7, 11 & 13 line Clothesline and Ground Mount Kit are 2400mm wide.
- 10 line Clothesline and Ground Mount Kit are 2200mm wide.

If your available space is less than this, refer to [Reducing the Overall Width](#).

1. Position Mounting Plates to match the same centre spacing as your Clothesline and Ground Mount Kit.
2. Mark concrete through the 3 x holes on base plate. Repeat step for the second Mounting Plate.
Note the side with one hole is at the front.
3. Using a hammer drill and 12mm masonry drill bit, drill all 6 x marked hole positions to a minimum depth of 80mm. Clean and prepare holes for installation.
4. Place the Mounting Plates in position and affix with the M10 x 80mm concrete bolts provided. Repeat for the second Mounting Plate.
5. The Ground Mount posts will need to be cut down in height when they are installed into the Mounting Plates. The amount they are cut down depends on the users height, we recommend that the cross bar be at the user's height + 110mm (11cm).

Use the chart below to see how much the posts should be cut.

Users Height (cm)	Cut bottom of Ground Mount post by (cm)
150	60
155	55
160	50
165	45
170	40
175	35
180	30

Note if the ground is not level you will have to adjust the post heights accordingly i.e. one post will have to be longer or shorter than the other, depending on the slope of the ground

6. Insert the Ground Mount posts into the Mounting Plates you just installed and secure with the self-drilling screws through the holes in the Mounting Plate posts.

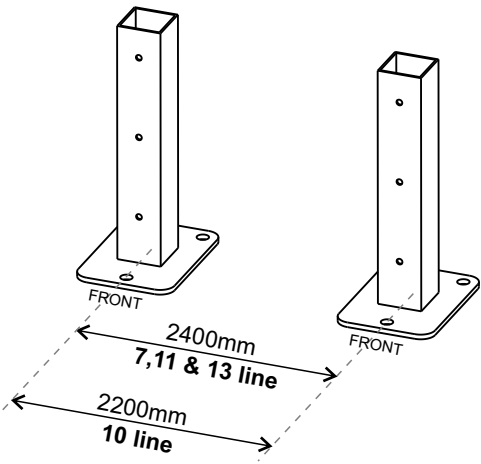
Reducing the Overall Width

If your available space doesn't allow the full width, you can reduce the width of your Clothesline and Ground Mount Kit as follows:

1. For the Clothesline, refer to the Clothesline instruction sheet.
2. For the Ground Mount Kit, refer to the Ground Mount Kit instruction sheet.

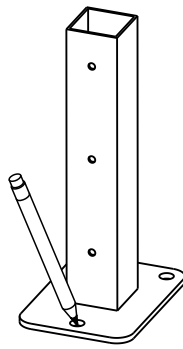
Figure 1

STEP 1

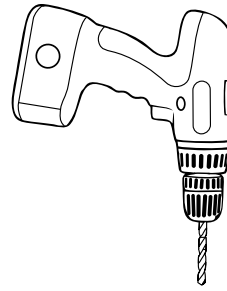


If Clothesline and Ground Mount Kit width has been reduced, adjust accordingly.

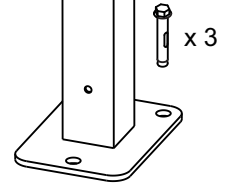
Figure 2



STEP 2



STEP 3



STEP 4

Figure 3

