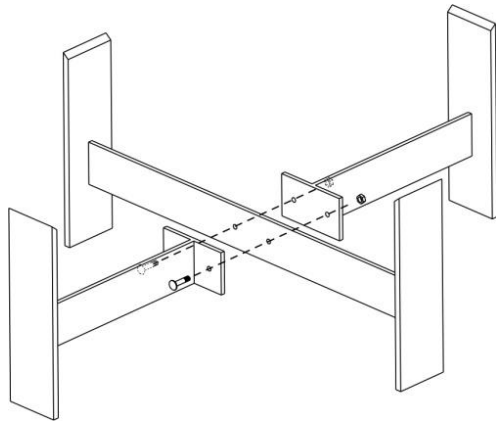


# SIERRA

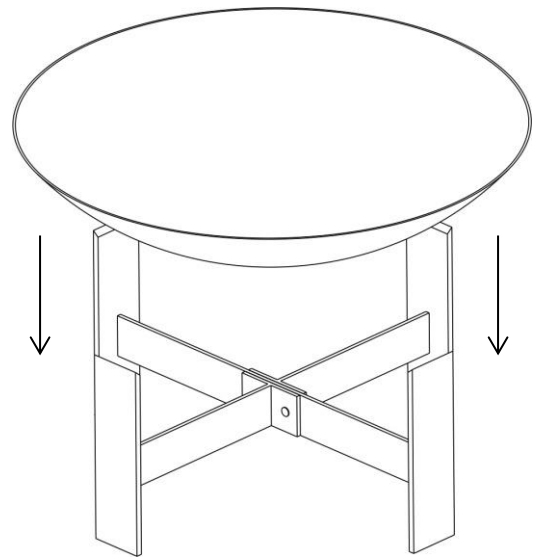
## FIRE PIT

### Assembly Instructions

1. Secure the legs together with the bolts and nuts provided.



2. Place the bowl on the legs as shown



### Safe Use

- For residential use only, not for commercial use
- For outdoor use only, not for indoor use
- The fire pit must be placed on a stable and level surface of non-combustible material
- The fire pit should not stand closer than 4 metres from a timber wall
- The fire pit is designed to burn timber and charcoal only
- Do not use any flammable liquids
- Build modest fires for the first few uses
- Do not use in high winds
- The fire pit will become very hot and must not be moved during use
- The fire pit must not be left unattended when in use
- Children must be supervised near the fire pit
- A water hose or fire-fighting equipment should be available when the fire pit is in use
- Make sure all embers are extinguished when finished with the fire pit
- When cool, clean all ash from the fire pit
- Ensure that it is legal to use the fire pit in your area
- Ensure that smoke emissions do not annoy your neighbours

### For Products with Rust Finish

- Do not store or operate the fire pit in a location that may be affected by rust staining