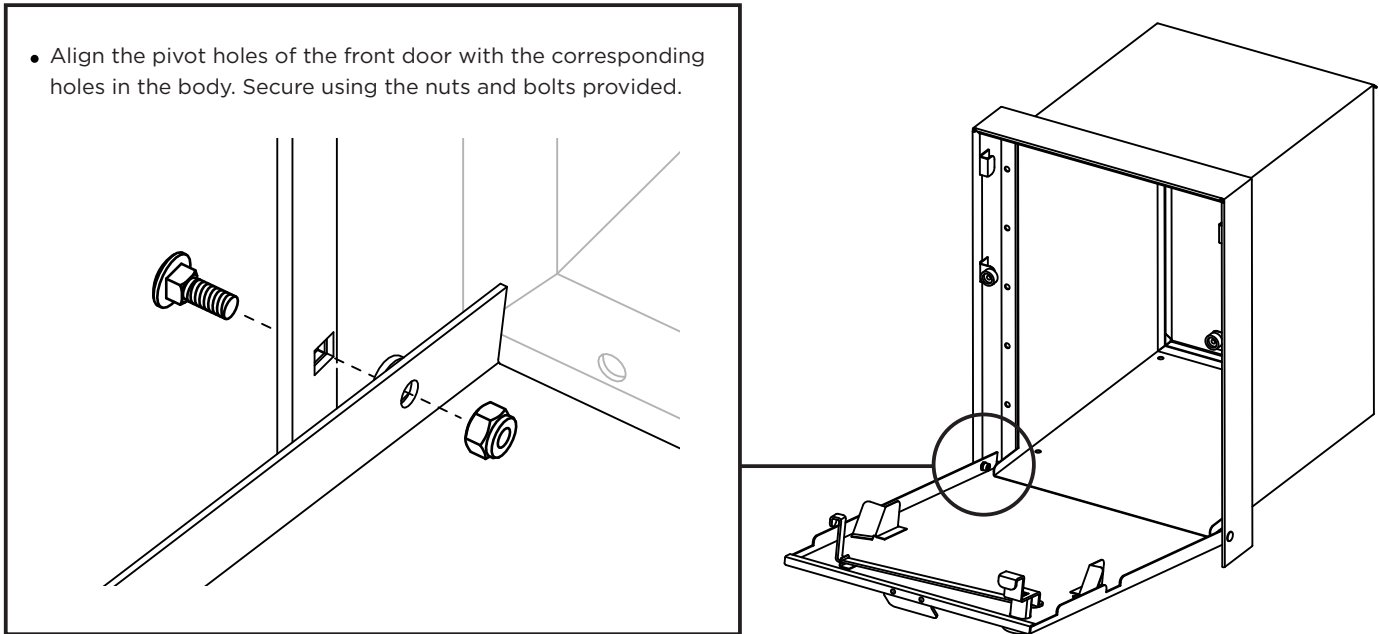


SIENA LETTERBOX

745F1 - Front Panel

Congratulations on purchasing the Siena letterbox. We have designed the Siena to receive large A4 size envelopes and parcels

Prior to attaching the front panel, the body (back box) needs to be installed into your fence or wall. Refer to the instruction sheet included with your back box.



Using your Siena Letterbox

This parcel letterbox is specially designed to allow mail and parcel delivery. When locked, the door is still able to be opened a small amount for mail delivery. This feature stops anyone from reaching into the parcel retrieval area.

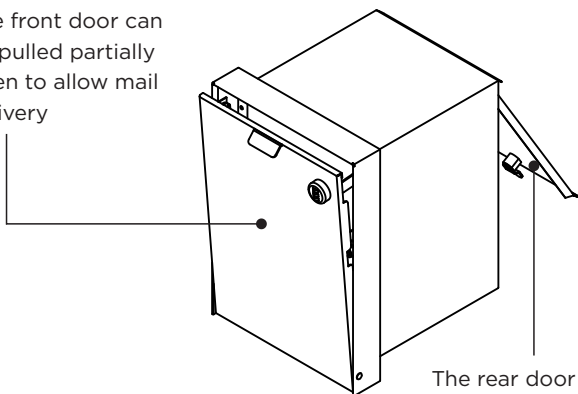
Parcels up to 19 x 21 x 29cm can be delivered using the combination lock. The courier simply enters the allocated combination code to unlock the front door. The courier places the parcel inside, closes the door and re-toggles the combination.

Most courier services have the provision for special delivery instructions to be included with a parcel. When you purchase an item to be delivered, let the supplier know the instruction for opening the combination lock.

For example, the delivery instruction for your parcel letterbox with the lock code set to 321 could be: "PLACE IN LETTERBOX. USE CODE 321 TO OPEN".

Mail Delivery

The front door can be pulled partially open to allow mail delivery



The rear door can be opened with a key to retrieve mail and parcels

Parcel Delivery

A trusted courier can enter the combination lock code to fully open the door for parcel delivery.

The front door can also be used for retrieving mail and parcels

