

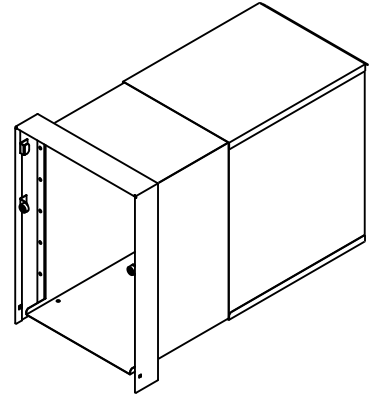
# SIENA LETTERBOX

## 745B2 - Back Box

Congratulations on purchasing the Siena letterbox. We have designed the Siena to receive large A4 envelopes and parcels up to 19 x 21 x 40cm (Note: some front panel options may not allow parcel delivery).

You will need to install the Siena letterbox in a location that is easily accessible to Australia Post and couriers. This will typically be at your front boundary.

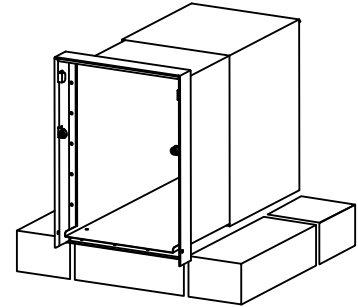
The ideal height for the mail opening is 90 - 120cm from the ground.



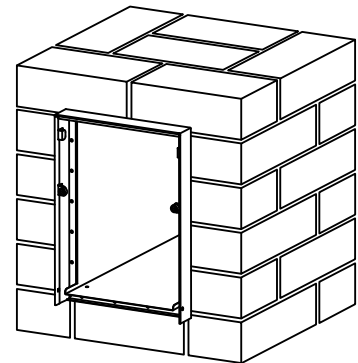
### Installing into a brick wall

1. Build the brickwork up to the desired height and set the body (back box) in place following these guidelines;

- Expand the body (back box) to match the depth of your wall or pier.
- For plain brick walls, the front flanges (these are the flanges with holes in them) should sit flush with the wall.
- For rendered walls, set the front flanges so that they will sit flush with the finished rendered surface.



2. Complete the remaining brickwork around the letterbox.



3. Finish any brick cleaning and rendering.

4. Attach the front panel using the bolts and nuts provided with the front panel (refer to the instruction sheet included with the Front Panel).

