

The Ground Mount Kit is used to support the Clothesline in a location where wall mounting is not possible.

The Ground Mount Kit is suitable for installation into clear ground, however if the ground surface is concrete, the Mounting Plate Kit is also required.

## Contents

Your carton should contain the following parts:

- |                |                   |
|----------------|-------------------|
| 2 x Posts      | 1 x Cross Brace   |
| 2 x Cross Bars | 1 x Accessory Bag |

## Choosing a Suitable Location

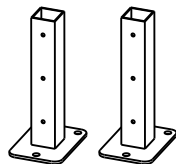
Check that your chosen location has suitable side and front clearance. Allow 50cm side clearance and 100cm front clearance.

## Assembly (Figure 1 & 2)

The Clothesline and Ground Mount Kit are 2400mm wide. If your available space is less than this, refer to [Reducing the Overall Width](#).

1. Assemble the cross bar. Push the left and right bars fully into the cross brace until they hit the small indent in the middle. Fix into place using the 2 x screws supplied.
2. Attach the assembled cross bar and Clothesline wall brackets to the Ground Mount posts.
3. Before installation we suggest attaching the Clothesline to the Ground mount posts by referring to the clothesline instruction sheet, steps 3 to 8. Don't attach the Clothesline front bar or line cord yet, this will be done later.

If you are using the Mounting Plate Kit, continue the installation using the instructions included with your Mounting Plate Kit.



## In-Ground Installation (Figure 3)

1. In your chosen location, mark two holes on the ground 2400mm apart (or your chosen width) for the posts.
2. Dig the two holes to a depth of 400mm and fill with 50mm of gravel, for drainage.

3. Place the assembled Ground Mount unit into the holes you've just dug. The cross bar should be level, and at a height of 110mm (11cm) above the typical users height.

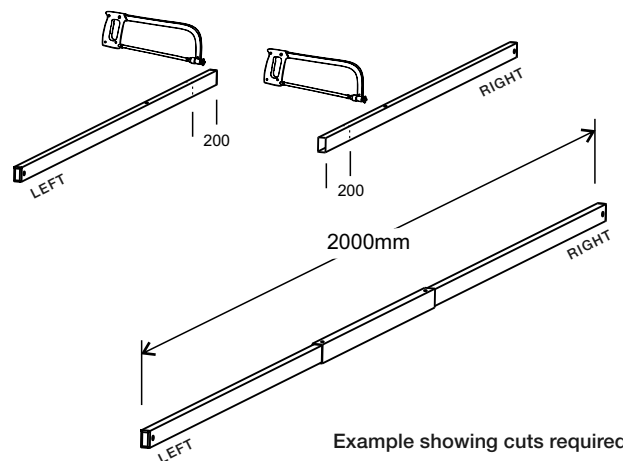
The height and level of the cross bar can be adjusted by cutting the Mounting Posts down in height (only cut the end that goes in the ground).

4. Concrete the Mounting Posts into the holes, checking the following before and during concreting:-
  - Post spacing is 2400mm between centres (or your chosen width).
  - Mounting Posts are vertical - check with a spirit level.
  - Cross bar is horizontal - check with a spirit level.
5. Clean any excess concrete from the posts with a damp cloth. Allow the concrete to set for 24 hours before attaching the Clothesline front bar and line cord.

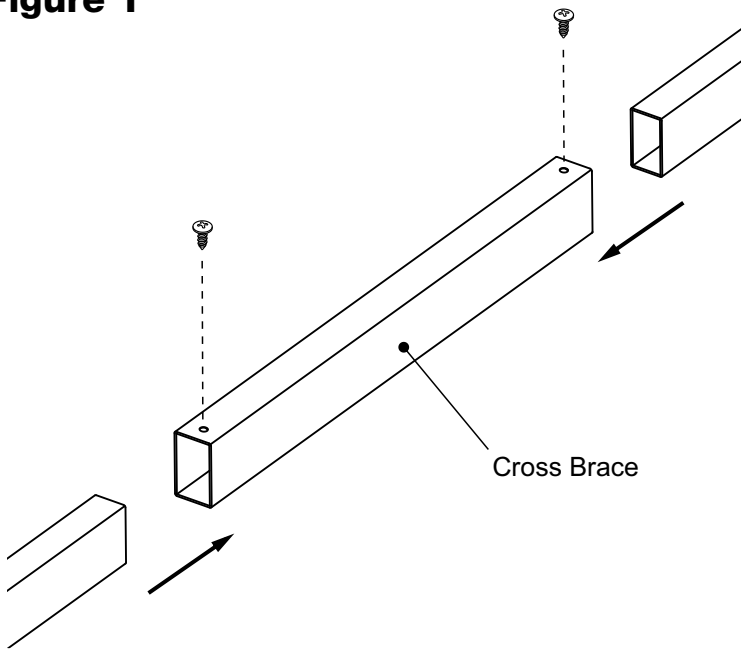
## Reducing the Overall Width

If your available space doesn't allow the full 2400mm width, you can reduce the width of your Clothesline and Ground Mount Kit:

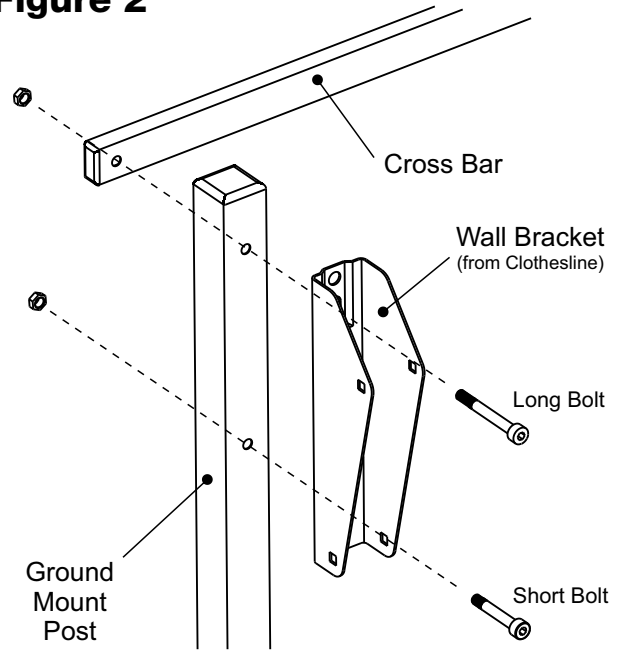
1. For the Clothesline, refer to the Clothesline instruction sheet.
2. For the Ground Mount Kit, use the following example as a guide
  - For this example, we are assuming your required overall width is now 2000mm
  - This is a reduction of  $2400 - 2000\text{mm} = 400\text{mm}$
  - Cut half of this from each side of the 2 x cross bar segments  $400 / 2 = 200\text{mm}$  each side.



**Figure 1**



**Figure 2**



**Figure 3**

