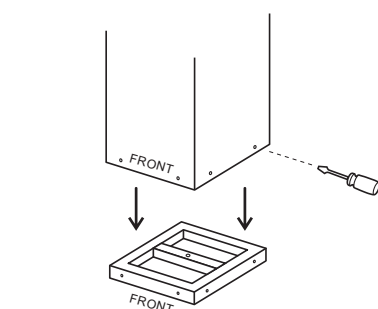


INSTRUCTIONS

VALENCIA PIER LETTERBOX

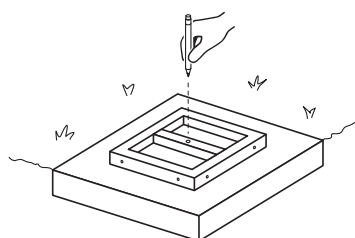


1. Mark the front edge of the bottom mounting frame so that you know which side is the front when it is removed.

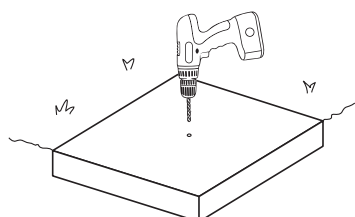
2. Unscrew the mounting frame from the Valencia letterbox.

3. Use an existing concrete base or pour a new slab about 10cm deep and let it cure before proceeding.

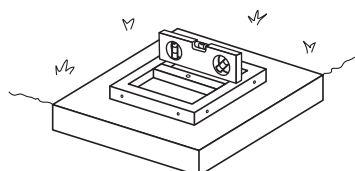
4. Place the mounting frame in the desired location on the concrete base and mark the location of the centre mounting hole.



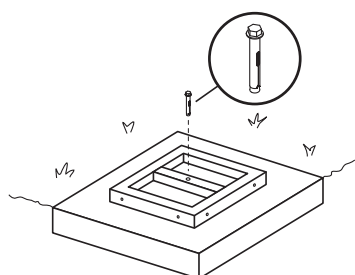
5. Drill a 10mm hole into the concrete to a depth suitable for the anchor bolt.



6. Use a spirit level to check that the mounting frame is level. Use washers under the corners to adjust the level if necessary.



7. Insert the anchor bolt into the concrete base through the centre hole of the mounting frame and tighten the anchor bolt with a spanner.



8. Place the Valencia letterbox back over the mounting frame and secure with the screws that were removed in step 2.

