

INSTALLATION INSTRUCTIONS

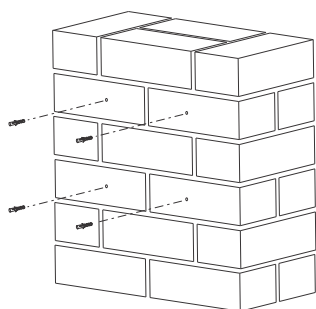
WALL

Please use these instructions as a general guide for the following wall mount front open letterboxes:

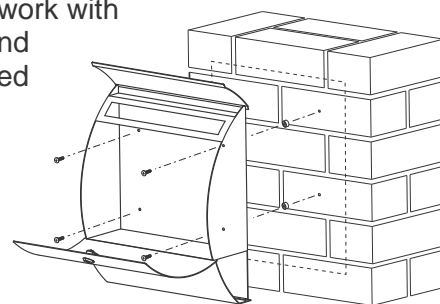
- WB53
- WB54
- WB56
- WB57
- WB58

Brick - Surface Mount

1. Place letterbox in desired position on wall and mark the four holes from inside the letterbox. Drill the 6mm holes and insert wall plugs supplied.

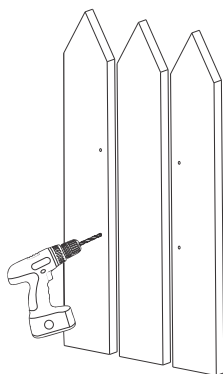


2. Mount the letterbox onto the brickwork with the spacers and screws supplied



Fence - Surface Mount

1. Place letterbox in desired position on fence and mark the four holes from inside the letterbox. Drill the 3mm holes.



2. Mount the letterbox onto fence with the spacers and screws supplied

