

INSTALLATION INSTRUCTIONS

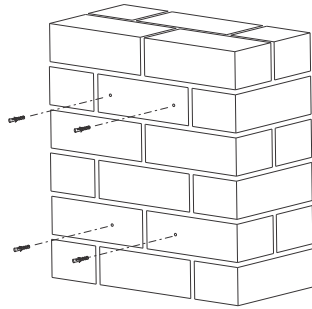
BRICK & FENCE

Please use these instructions as a general guide for the following brick-in letterboxes:

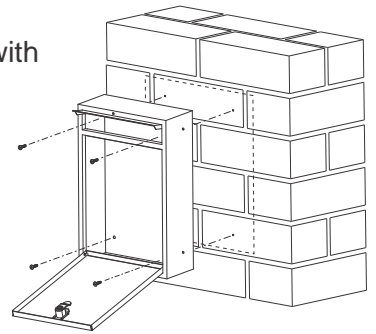
- WB51
- WB52 Stainless

Brick - Surface Mount

1. Place letterbox in desired position on wall and mark the four holes from inside the letterbox. Drill the 6mm holes and insert wall plugs supplied.

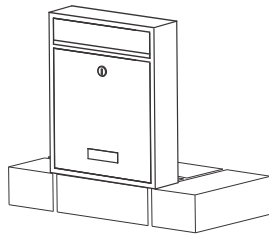


2. Mount the letterbox onto the brickwork with the screws supplied

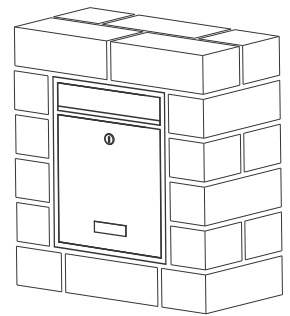


Brick - Flush Mount

1. Build brickwork up to desired height and set letterbox into place

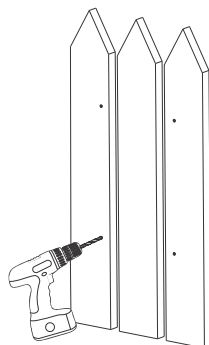


2. Build remaining brickwork around letterbox



Fence - Surface Mount

1. Place letterbox in desired position on fence and mark the four holes from inside the letterbox. Drill the 3mm holes.



2. Mount the letterbox onto fence with the screws supplied

